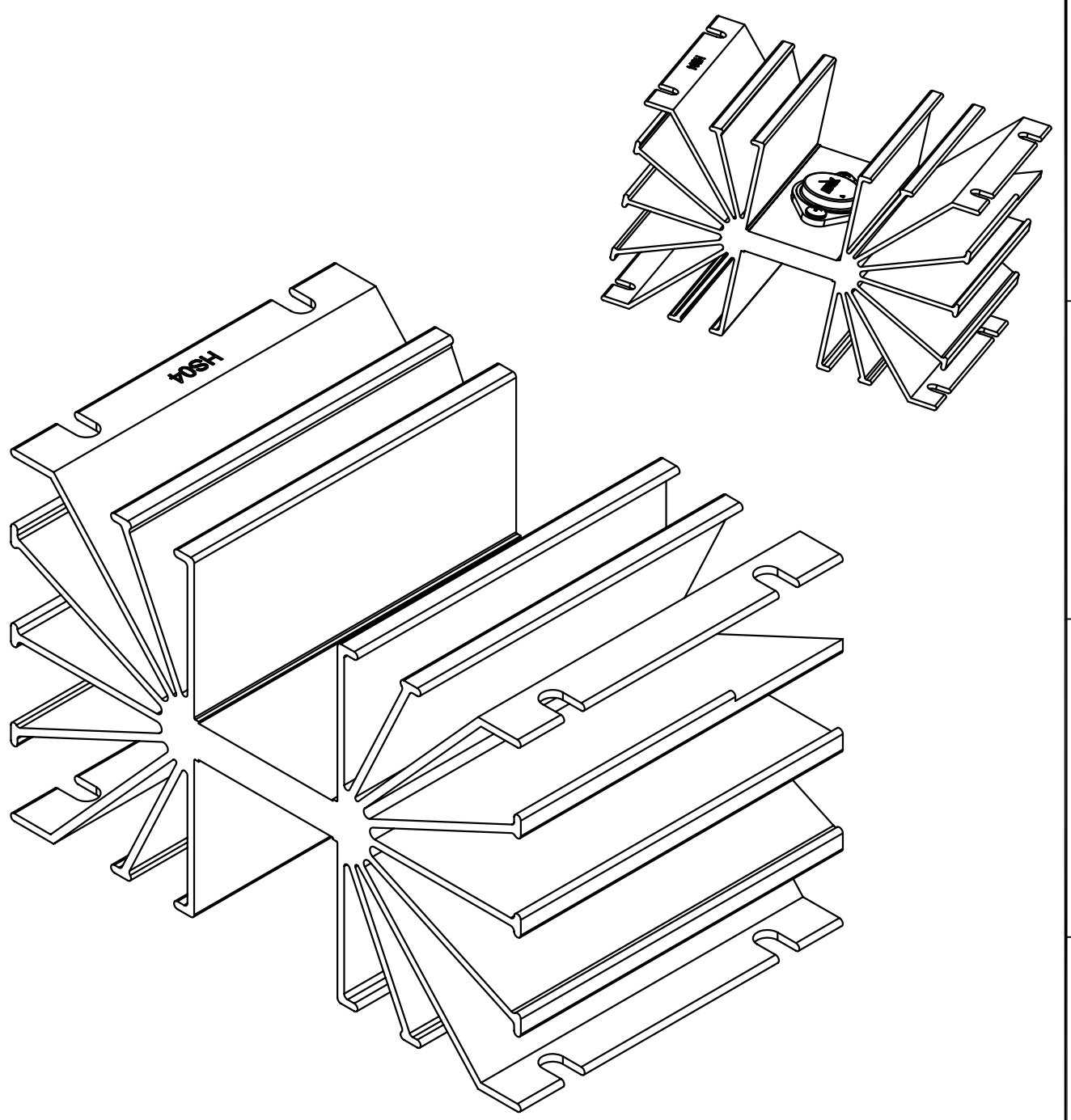
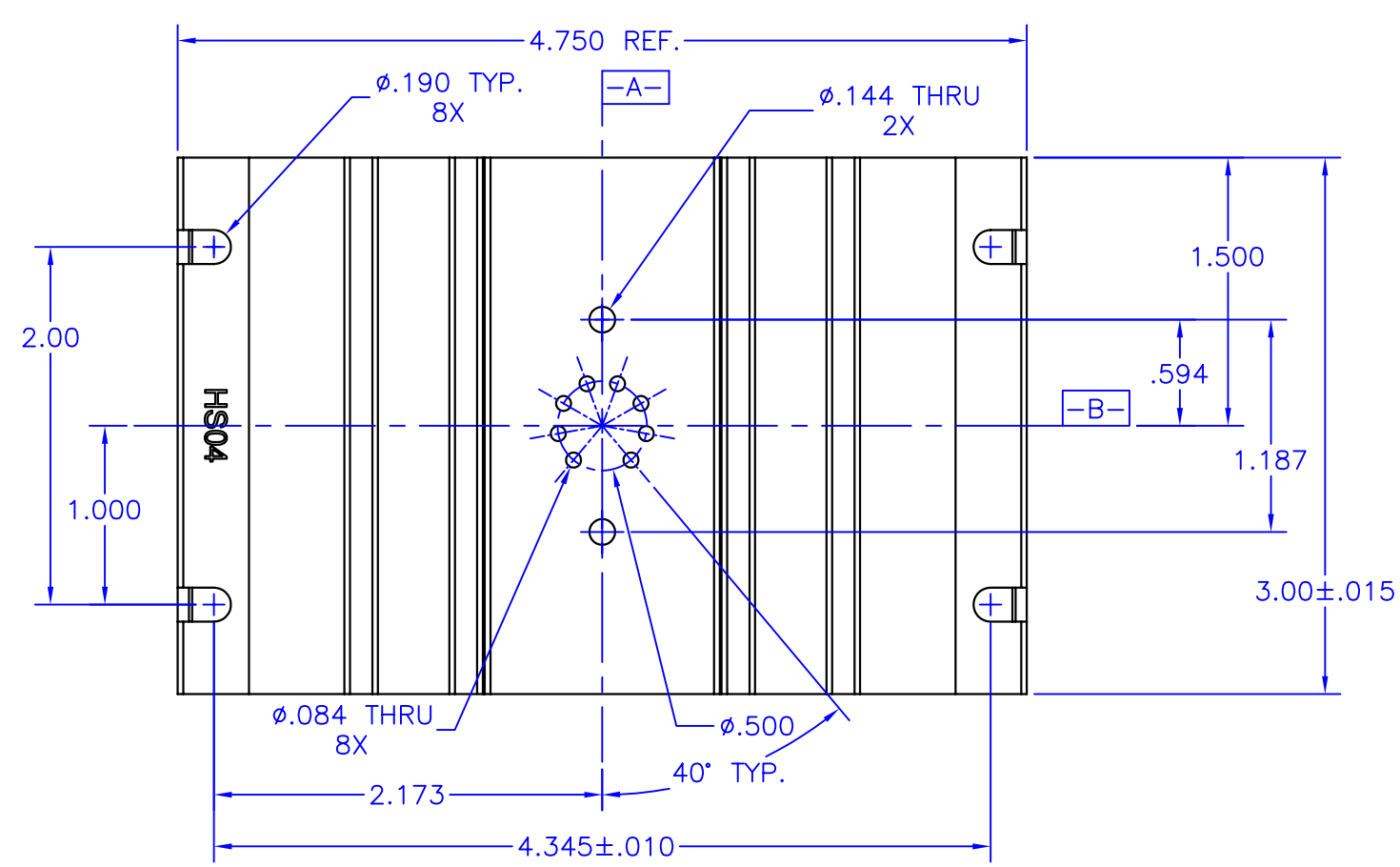
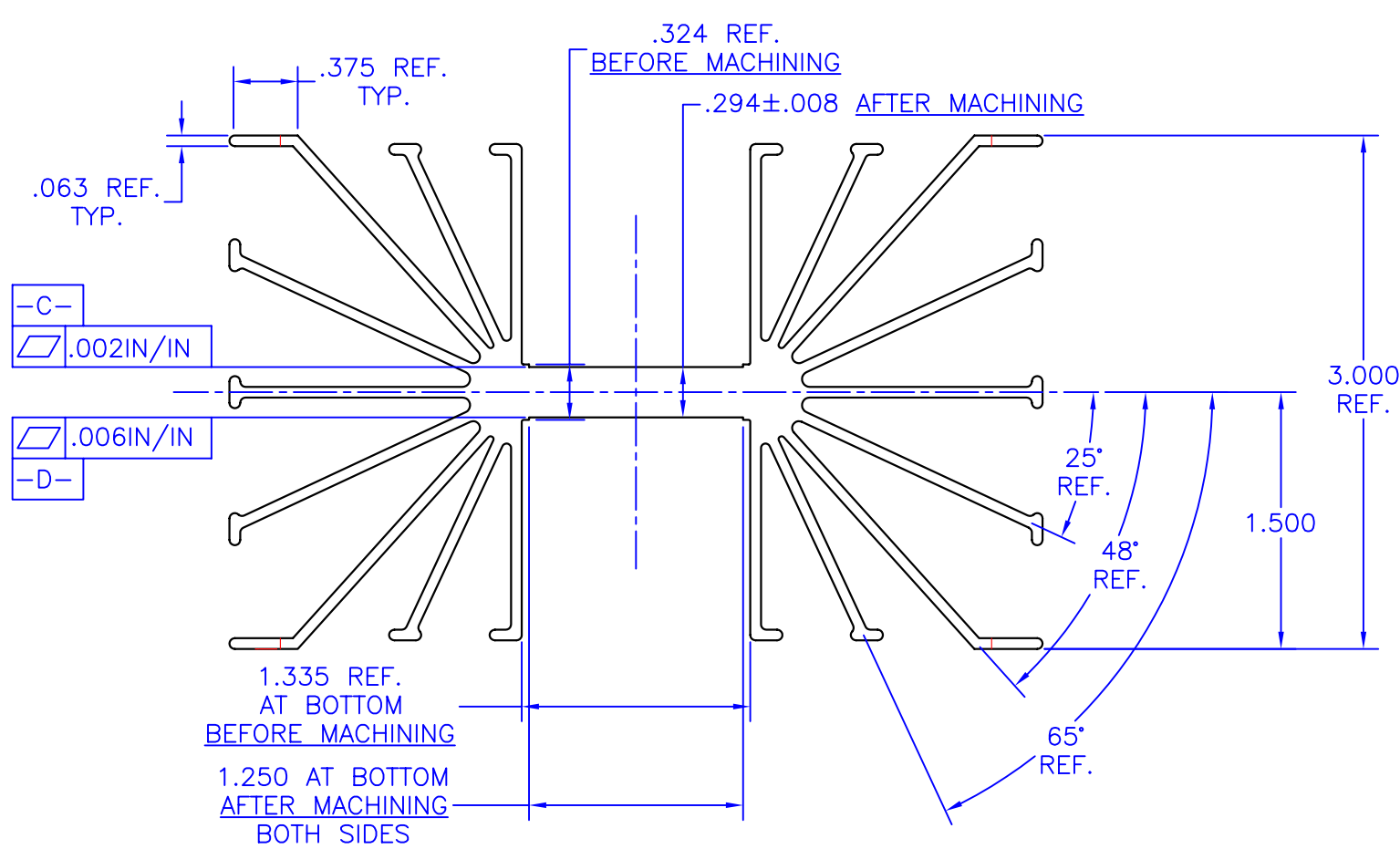


8 7 6 5 4 3 2 1

E D C B A

E D C B A



NOTES:

- 1. Unless otherwise noted, all dimensions are in inches.
- 2. Break all sharp edges, de-burr & remove loose chips.
- 3. Material: 6063-T5 aluminum (AAVID Thermalloy extrusion 60650)
- 4. Finish: Anodize per MIL-A-8625, Type II, Class 2, Black
Typical breakdown voltage > 300V
- 5. Mark with contrasting ink as shown, if specified by P.O.
- 6. Approximate Weight: 11.6 oz [329g]

TOLERANCES - UNLESS OTHERWISE SPECIFIED			TITLE		PART NO.
.XX	= ±.01		HEATSINK, TO3		
.XXX	= ±.005	SUBJECT		MECHANICAL DRAWING	
ANG.	= ±.5°	DATE	REV	REV	DATE
		D-M	D-M	H	10/31/05
		50423	50423	HS04	
		1	1		

8 7 6 5 4 3 2 1